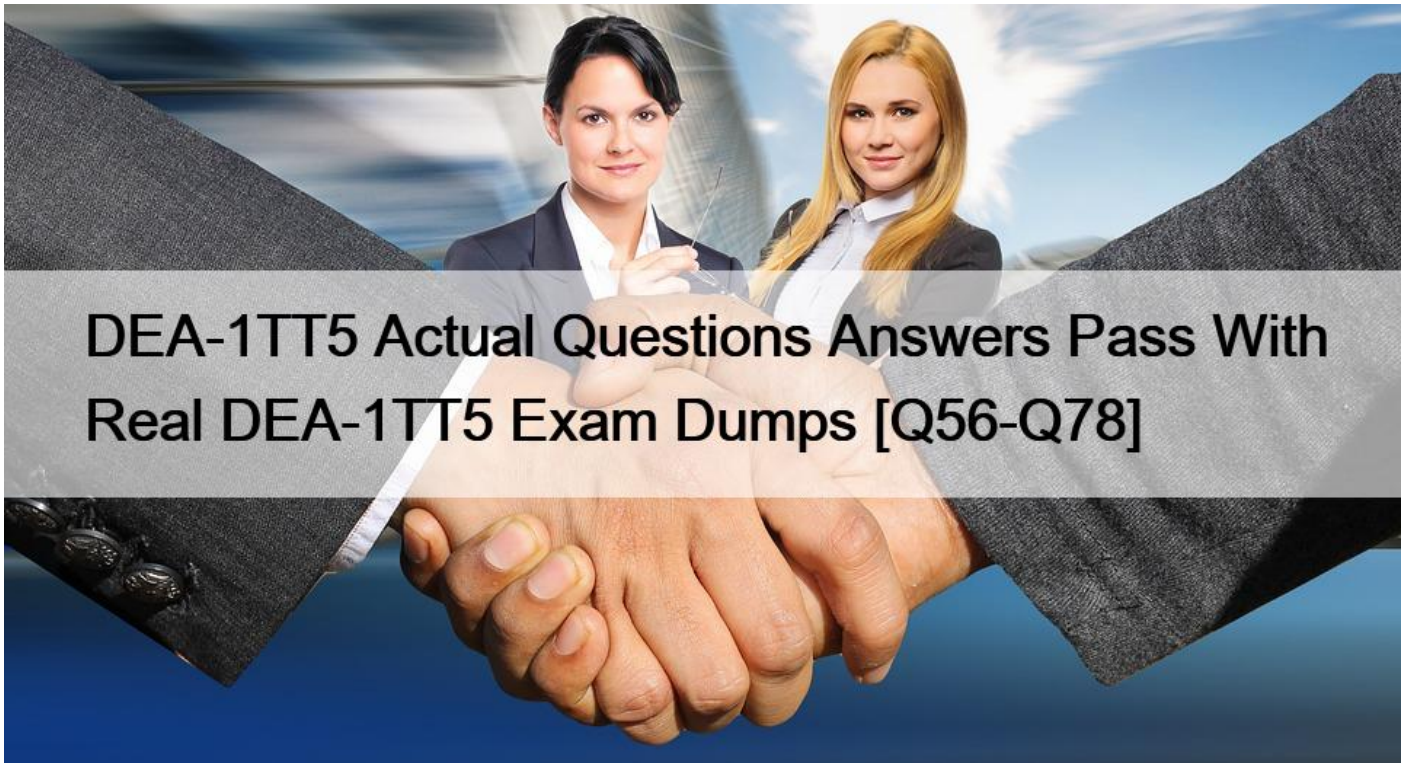


DEA-1TT5 Actual Questions Answers Pass With Real DEA-1TT5 Exam Dumps [Q56-Q78]



DEA-1TT5 Actual Questions Answers Pass With Real DEA-1TT5 Exam Dumps [Q56-Q78]

DEA-1TT5 Actual Questions Answers Pass With Real DEA-1TT5 Exam Dumps DEA-1TT5 Dumps Prepare Your Exam With 307 Questions

The EMC DEA-1TT5 exam consists of 60 multiple-choice questions that need to be answered within 90 minutes. DEA-1TT5 exam is computer-based and can be taken at any authorized Pearson VUE testing center. DEA-1TT5 exam fee is \$200, and the passing score is 60%. DEA-1TT5 exam is available in English, Japanese, and Chinese languages.

The DEA-1TT5 certification is an entry-level certification that is suitable for IT professionals who are starting their careers in the field of information storage and management. Associate - Information Storage and Management Exam certification exam is delivered in a proctored environment and includes 60 multiple-choice questions that must be completed within 90 minutes. DEA-1TT5 exam is computer-based and can be taken at any Pearson VUE testing center worldwide.

NO.56 Refer to the Example: What do X and Y represent in the formula for Information Availability?

$$\text{Information Availability} = \frac{X}{(X + Y)}$$

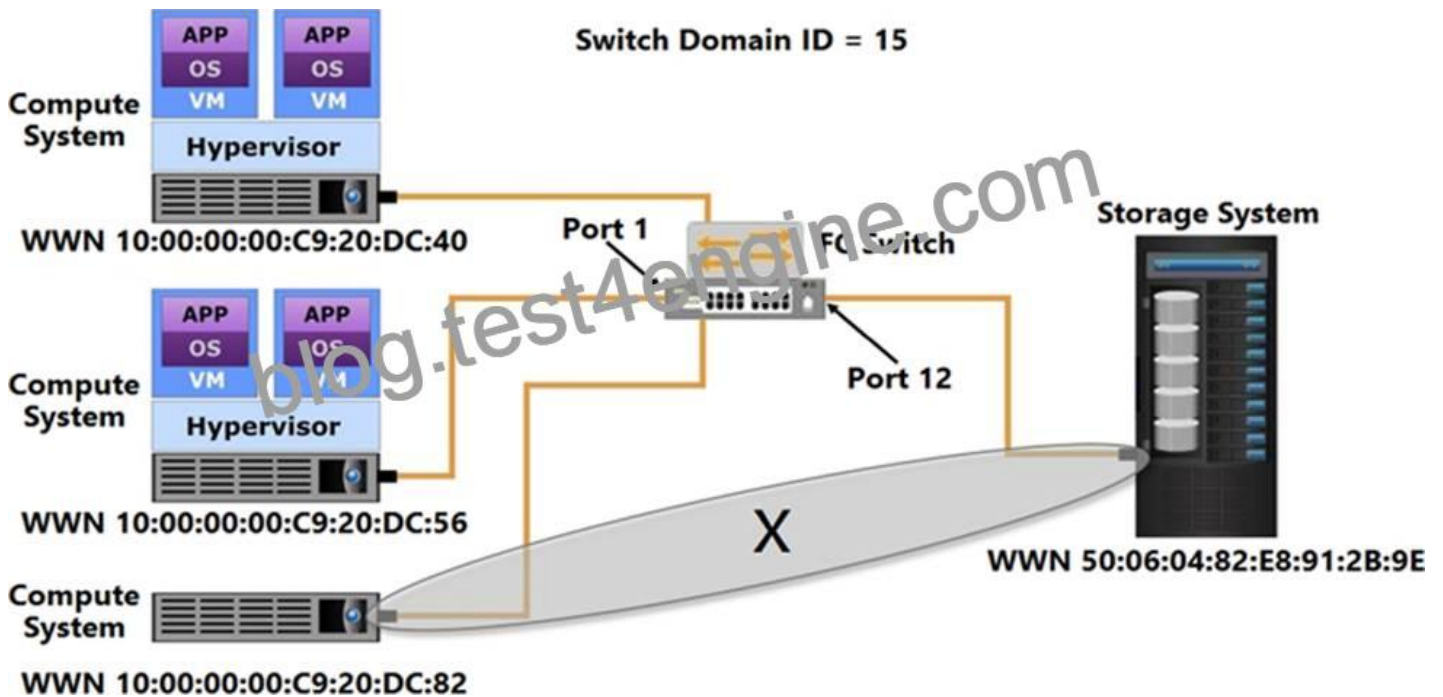
Response:

- * MTTR and RTO
- * MTTR and MTBF
- * RTO and RPO
- * MTBF and MTTR

NO.57 Which performance feature does an intelligent storage system provide?

- * RAID 4 data protection
- * End-to-end NVMe/IB storage connectivity
- * End-to-end SAS storage connectivity
- * Automated storage tiering

NO.58 Which type of zoning does the “X” represent?



- * Fabric zoning
- * WWN zoning
- * Mixed zoning
- * Port zoning

NO.59 Which product enables employees to enroll their mobile devices in an enterprise environment and ensures secure access from the devices to the enterprise resources?

- * Dell PowerEdge
- * Dell InTrust
- * VMware AirWatch
- * VMware AppDefense

NO.60 An organization is evaluating a cloud deployment solution that allows them to select various cloud service providers. They

want to avoid vendor lock-in issues while optimizing performance and cost.

Which recommended cloud deployment model will meet their requirements?

Response:

- * Private cloud
- * Community cloud
- * Public cloud
- * Multi-cloud

NO.61 When using the erasure coding technique in an object-based storage system, data is divided into 12 data segments and 4 coding segments. What is the maximum number of disk drive failures against which data is protected by the configuration?

Response:

- * 3
- * 4
- * 8
- * 12

NO.62 What is used to implement a fully functional SAN?

Response:

- * IPFC
- * iSCSI
- * VXLAN
- * FCIP

NO.63 What accurately describes a VSAN?

Response:

- * A logical fabric on an FC SAN that enables communication among a group of nodes
- * A logical fabric on an FC SAN that has a 1-to-1 relationship with a zone in the FC SAN
- * A logical fabric across FC SANs that aggregates the FC SANs to create a network pool
- * A logical fabric across FC SANs that allows non-disruptive file mobility between the SANs

NO.64 An organization performs a full back up every Sunday and cumulative back ups on the remaining days. On Thursday, a data corruption occurs that requires a data restoration from the backup copies. How many backup copies are required to perform this restoration?

- * 1
- * 2
- * 3
- * 4

NO.65 An Ethernet switch has eight ports and all ports must be operational for 24 hours, from Monday through Friday.

However, a failure of Port4 occurs as follows:

- * Monday = 8 PM to 9 PM
- * Wednesday 7 PM to 9 PM

* Thursday = 6 AM to 9 AM

* Saturday = 4 PM to 7 PM

What is the MTTR of Port 4?

- * 2 hours
- * 3 hours
- * 28 hours
- * 38 hours

NO.66 What does an area ID represent in Fibre Channel (FC) addressing?

Response:

- * Group of switch ports
- * Switch within a group
- * Port within a group
- * Group of switches

NO.67 What is an accurate statement about the application streaming technique of application virtualization?

- * Application is downloaded in portions on the client for local execution
- * Application executes remotely and its user interface is transmitted to the client
- * Application executes on the client without the use of a locally-installed agent
- * Application is converted into a standalone package that directly executes on the client

NO.68 Which backup component sends metadata and tracking information about each backup to the system that maintains this information?

- * Backup agent
- * Storage node
- * Backup device
- * Backup server

NO.69 What is a function of the metadata service in an object-based storage device (OSD)?

Response:

- * Generates the file system namespace from the file contents.
- * Manages both physical and logical disks on which the user data is stored.
- * Manages the storage space for all remote clients.
- * Maintains the object IDs and file system namespace mappings.

NO.70 Which statements are both accurate about scale-up NAS systems?

Response:

- * Nodes can be added to the cluster for better performance or storage capacity Scales performance and capacity without disruption
- * Performance starts degrading when reaching the capacity limit Stripes data across all nodes in a cluster along with mirror or parity protection
- * Provides the ability to independently grow capacity and performance Can add NAS controllers that contain CPU and memory
- * Individual systems have a fixed capacity ceiling, which limits their scalability Multiple NAS servers can be pooled in a cluster to work as a single NAS device

NO.71 What is a function of the NDMP client in an NDMP-based backup approach?

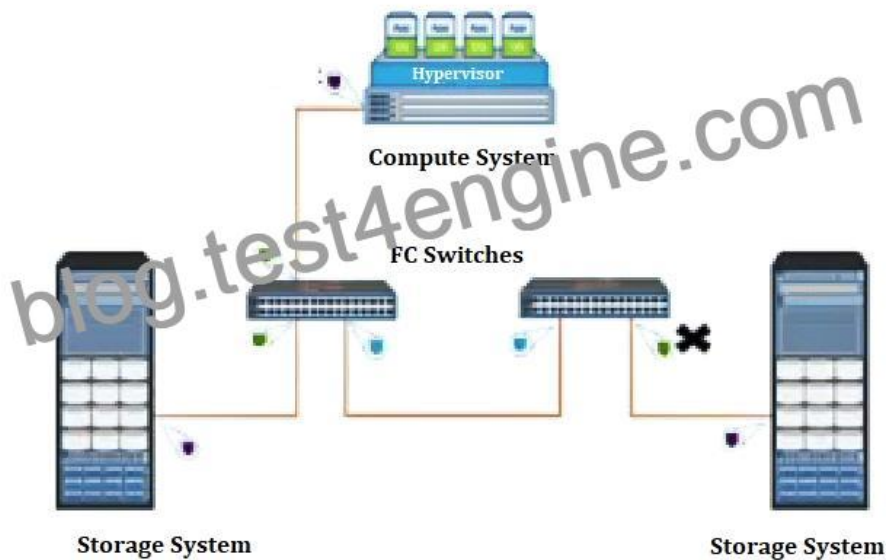
Response:

- * Instructs the backup agent on the storage node to send the data to the backup device
- * Instructs the NAS head to start the backup operation
- * Reads the data from the application servers and sends it to the backup device
- * Reads the data from the NAS and sends it to the backup device

NO.72 What does the 'variability' characteristic of big data signify?

- * Importance in obtaining the right information from data at all possible contexts
- * Cost-effectiveness and business value obtained from massive volumes of data
- * Diversity in the formats and types of data generated from various sources
- * Importance in the quality of data gathered from a number of sources

NO.73 Refer to the exhibit.



What type of Fibre Channel port does the 'X' represent?

- * N_port
- * F_port
- * E_port
- * NL_port

NO.74 Which EMC product provides policy engine functionality in the hierarchical storage management process?

Response:

- * XtremIO
- * Cloud Tiering Appliance
- * Isilon

- * Atmos

NO.75 Why should a replica be consistent with its source?

Response:

- * Ensure the usability of the replica
- * Reduce the need to create multiple replicas
- * Ensure the security of the replica
- * Reduce the size of the replica

NO.76 What is an advantage of deploying a purpose-built, disk-based backup appliance in a data center environment?

Response:

- * Eliminate the need for performing source-based deduplication.
- * Convert the capital expenditure to an operational expenditure.
- * Lower the recovery time objective of an organization.
- * Retain the fixed content for longer periods in the data center.

NO.77 Which infrastructure building process allows organizations to repurpose existing infrastructure components and provides cost benefits?

- * Public cloud
- * Greenfield
- * Greyfield
- * Brownfield

Explanation

This method involves upgrading or adding new infrastructure elements to the already existing infrastructure.

This method allows organizations to repurpose the existing infrastructure components, providing a cost benefit. Simultaneously the organization may face integration issues, which can compromise the stability of the overall system.

NO.78 What is the objective of security control?

Response:

- * Minimize the attack surfaces and minimize the work factors.
- * Maximize the attack surfaces and minimize the attack vector.
- * Minimize the attack surfaces and maximize the work factors.
- * Maximize the attack surfaces and maximize the attack vector.

New DEA-1TT5 Dumps - Real EMC Exam Questions: https://www.test4engine.com/DEA-1TT5_exam-latest-braindumps.html